

MNG Series GEL Battery

MHB MNG Series-- Storage-type Gelled Battery

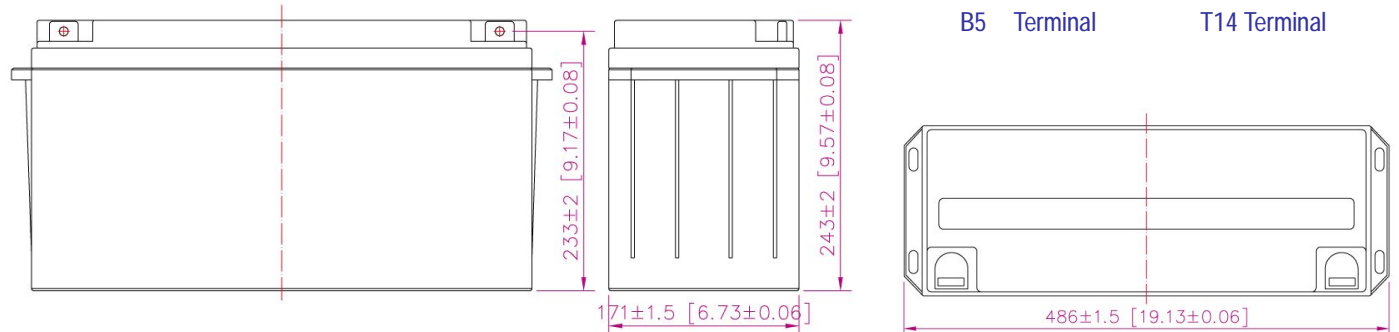
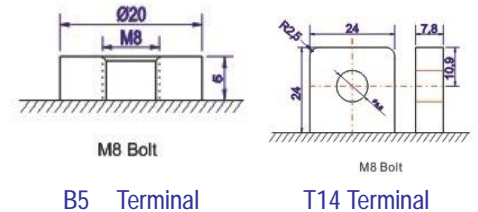
- completely sealed and maintenance-free, low self-discharge
- 100% precise quality testing, stable quality and high reliable performance
- Unique grid alloy formula, Gelled electrolyte formula and updated manufacturing technique
- Floating & standby use: up to 12 years
- Cycle use 1: More than 350 cycles at 100% DOD
- Cycle use 2: More than 1800 cycles at 30% DOD

Application:

- Telecommunications
- UPS/EPS
- DC Power Supply
- Solar system
- Wind Power System
- Auto Control System

Construction:

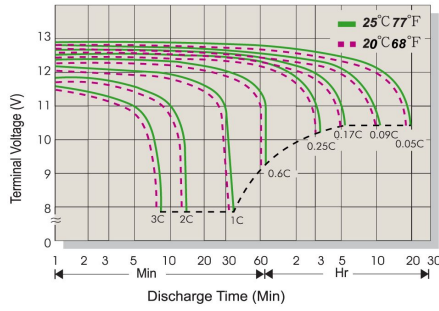
- ComponentRaw material
- PositiveLead dioxide
- NegativeLead
- ContainerABS
- CoverABS
- SealantEpoxy
- Safety valve Rubber
- TerminalCopper/Pb
- SeparatorFiber glass
- Electrolyte Gelled acid



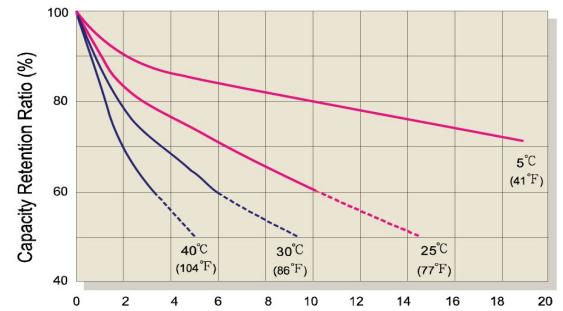
Specification:

Battery Model	MNG 150-12 12V150AH			
Designed Floating Life	Up to 12 Years			
Capacity (25°C)	20HR(7.50A,10.8V)	10HR(15.0A,10.8V)	5HR(24.6A,10.5V)	1HR(83.5A,10.5V)
	150.0AH	150.0AH	123.0AH	83.5AH
Dimensions	Length	Width	Height	Total Height
	486mm (19.13inch)	171mm (6.73inch)	233mm (9.17inch)	243mm (9.57inch)
Approx. Weight	42.30Kg (93.27 lbs)			
Internal Resistance	Full charged at 25°C: ≤6.3mΩ			
Self Discharge	2% of capacity declined per month at (25°C)			
Capacity Affected by Temp.(20HR)	40°C	25°C	0°C	-15°C
	102%	100%	85%	65%
Charge Voltage(25oC)	Cycle use		Float use	
	14.4-14.6V(-30mV/°C), max. Current: 36.0A		13.6-13.8V (-20mV/°C)	

Terminal Voltage (V) and Discharge Time



Capacity Retention Characteristic



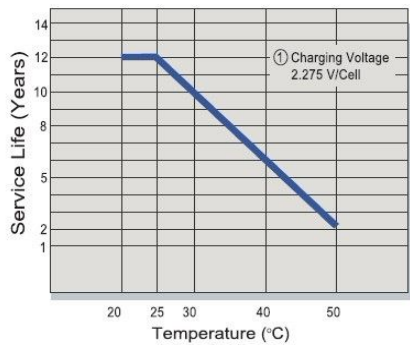
Battery Voltage and Charge Time for Standby Use



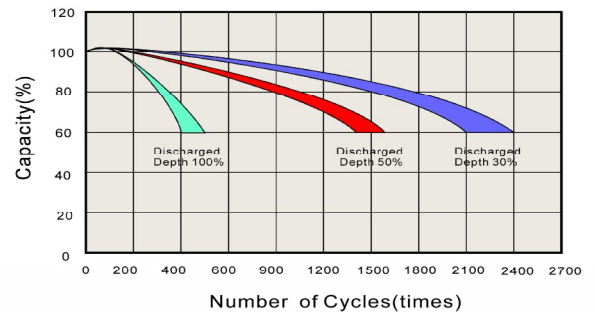
Battery Voltage and Charge Time for Cycle Use



Tickle(or Float) Service Life



Cycle Service Life



Constant Current Discharge (CC, Unit: A) at 25°C (77°F)

F.V/Time	5Min	10Min	15Min	30Min	1Hr	2Hr	3Hr	4Hr	5Hr	6Hr	10Hr	20Hr
1.85V/Cell	339.0	249.7	216.7	130.8	77.0	45.4	33.8	28.51	23.47	21.60	14.40	7.20
1.80V/Cell	351.9	259.2	225.0	135.8	80.3	47.3	35.3	29.70	24.45	22.50	15.00	7.50
1.75V/Cell	387.1	272.2	236.3	141.2	83.5	48.7	36.3	30.00	24.69	22.73	15.15	7.58
1.70V/Cell	432.8	285.1	247.5	148.0	85.1	49.6	37.0	30.29	24.94	22.95	15.30	7.65
1.67V/Cell	478.6	298.1	258.8	152.0	88.3	51.0	38.1	30.59	25.18	23.18	15.45	7.73

Constant Power Discharge (CP, Unit: W) at 25°C (77°F)

F.V/Time	5Min	10Min	15Min	30Min	1Hr	2Hr	3Hr	4Hr	5Hr	6Hr	10Hr	20Hr
1.85V/Cell	644.0	474.4	411.8	248.4	146.4	86.2	64.3	54.17	44.60	41.04	27.36	13.68
1.80V/Cell	668.6	492.5	427.5	257.9	152.5	89.8	67.0	56.43	46.46	42.75	28.50	14.25
1.75V/Cell	735.5	517.1	448.9	268.2	158.6	92.5	69.0	56.99	46.92	43.18	28.79	14.39
1.70V/Cell	822.4	541.7	470.3	281.1	161.6	94.3	70.3	57.56	47.38	43.61	29.07	14.54
1.67V/Cell	909.3	566.4	491.6	288.9	167.7	97.0	72.3	58.12	47.85	44.03	29.36	14.68