

#### MHB ML Series—Longer service life Battery

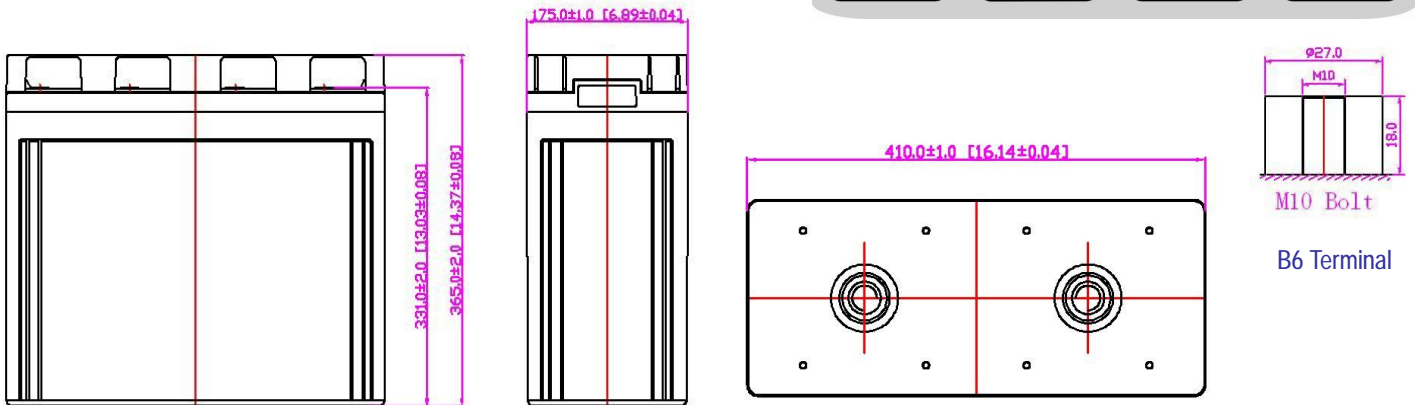
- High performance, completely maintenance-free, low self-discharge
- 100% precise quality testing, stable quality and high reliable performance
- Unique grid alloy formula and updated manufacturing technique
- Floating & standby use: up to 15 years
- Cycle use 1: Up to 260 cycles at 100% DOD
- Cycle use 2: Up to 1200 cycles at 30% DOD

#### Application:

- Telecommunications
- Uninterruptable Power Supply (UPS)
- Electric Power System (EPS)
- Emergency backup power supply
- Alarm and security system
- Communication power supply
- DC power supply
- Auto control system

#### Construction:

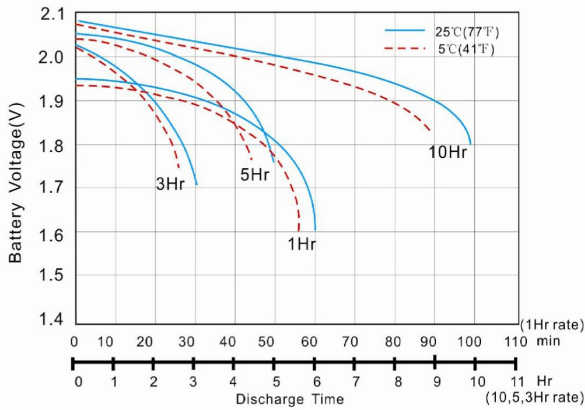
- Component .....Raw material
- Positive .....Lead dioxide
- Negative .....Lead
- Container .....ABS
- Cover .....ABS
- Sealant .....Epoxy
- Safety valve .... Rubber
- Terminal .....Copper
- Separator .....Fiber glass
- Electrolyte ..... Sulfuric acid



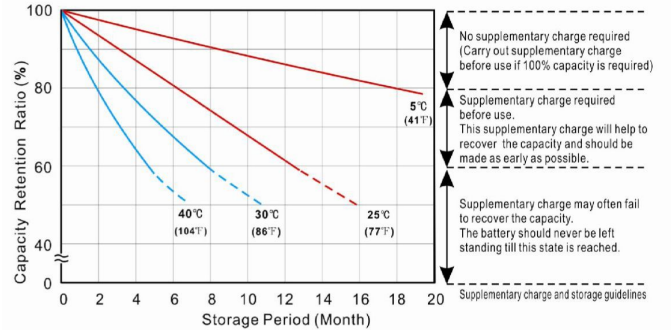
#### Speification:

Battery Model	ML800 -2 2V800AH			
Designed Floating Life	Up to 15 Years			
Capacity (25°C)	10HR(80.00A,10.8V)	5HR(133.28A,10.8V)	3HR(197.28A,10.8V)	1HR(421.28A,10.8V)
	800.00AH	666.4AH	591.84AH	421.28AH
Dimensions	Length	Width	Height	Total Height
	410mm (16.14inch)	175mm (6.89inch)	331mm (13.03inch)	365mm (14.37inch)
Approx. Weight	53.20Kg (117.31 lbs)			
Internal Resistance	Full charged at 25°C: ≤0.35mΩ			
Self Discharge	2% of capacity declined per month at (25°C)			
Capacity Affected by Temp.(20HR)	40°C	25°C	0°C	-15°C
	102%	100%	85%	65%
Charge Voltage(25°C)	Cycle use		Float use	
	2.40-2.50V(-5mV/°C), max. Current:200.0A		2.25-2.30V (-3.0mV/°C)	

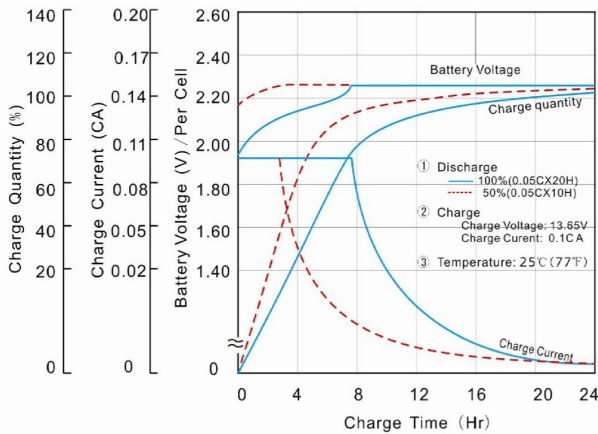
### Terminal Voltage (V) and Discharge Time



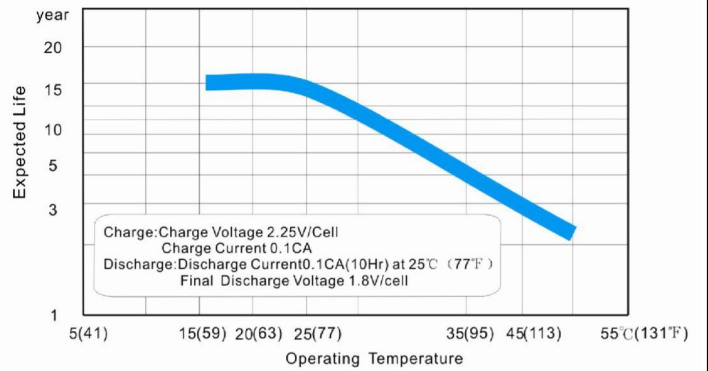
### Capacity Retention Characteristic



### Battery Voltage and Charge Time for Standby Use



### Tickle(or Float) Service Life



### Constant Current Discharge (CC, Unit: A) at 25°C (77°F)

F.V/Time	10Min	15Min	30Min	1Hr	2Hr	3Hr	4Hr	5Hr	6Hr	8Hr	10Hr	20Hr
1.85V/Cell	1871.54	1247.69	608.25	410.65	254.22	192.30	156.74	129.92	114.32	93.03	77.98	39.93
1.80V/Cell	1920.00	1280.00	624.00	421.28	260.80	197.28	160.80	133.28	117.28	95.44	80.00	40.96
1.75V/Cell	1943.04	1295.36	631.49	426.34	263.93	199.65	162.73	134.88	118.69	96.59	80.96	41.45
1.70V/Cell	2117.91	1373.08	669.38	443.35	268.57	203.16	165.59	137.25	120.78	98.29	82.38	42.18
1.67V/Cell	2331.65	1489.66	726.21	468.12	271.45	205.34	167.37	138.72	122.07	99.34	83.27	42.63

### Constant Power Discharge (CP, Unit: W) at 25°C (77°F)

F.V/Time	10Min	15Min	30Min	1Hr	2Hr	3Hr	4Hr	5Hr	6Hr	8Hr	10Hr	20Hr
1.85V/Cell	3649.5	2433.0	1186.1	800.8	495.7	375.0	305.6	253.3	222.9	181.4	152.1	77.9
1.80V/Cell	3744.0	2496.0	1216.8	821.5	508.6	384.7	313.6	259.9	228.7	186.1	156.0	79.9
1.75V/Cell	3788.9	2526.0	1231.4	831.4	514.7	389.3	317.3	263.0	231.4	188.3	157.9	80.8
1.70V/Cell	4129.9	2677.5	1305.3	864.5	523.7	396.2	322.9	267.6	235.5	191.7	160.7	82.3
1.67V/Cell	4546.7	2904.8	1416.1	912.8	529.3	400.4	326.4	270.5	238.0	193.7	162.4	83.1