

#### MHB ML Series—Longer service life Battery

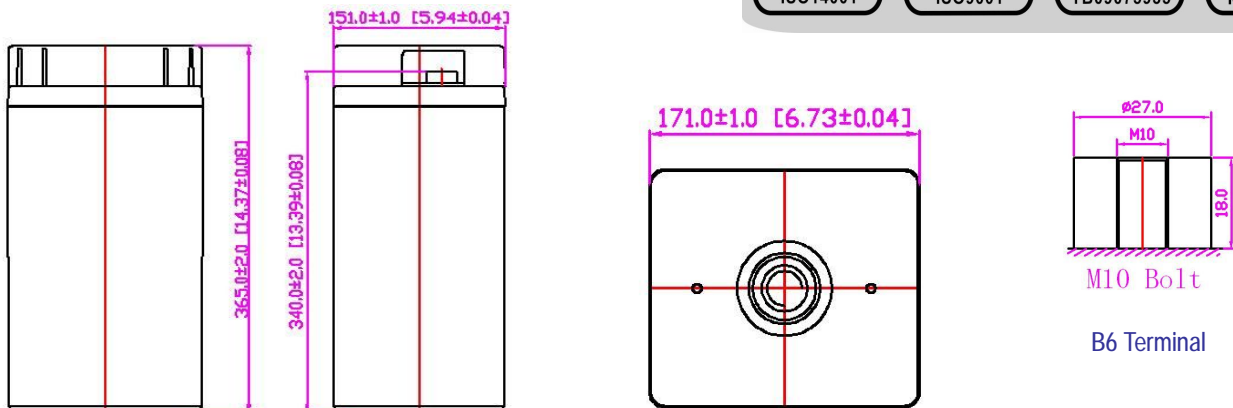
- High performance, completely maintenance-free, low self-discharge
- 100% precise quality testing, stable quality and high reliable performance
- Unique grid alloy formula and updated manufacturing technique
- Floating & standby use: up to 15 years
- Cycle use 1: Up to 260 cycles at 100% DOD
- Cycle use 2: Up to 1200 cycles at 30% DOD

#### Application:

- Telecommunications
- Uninterruptable Power Supply (UPS)
- Electric Power System (EPS)
- Emergency backup power supply
- Alarm and security system
- Communication power supply
- DC power supply
- Auto control system

#### Construction:

- Component .....Raw material
- Positive .....Lead dioxide
- Negative .....Lead
- Container .....ABS
- Cover .....ABS
- Sealant .....Epoxy
- Safety valve .... Rubber
- Terminal .....Copper
- Separator .....Fiber glass
- Electrolyte ..... Sulfuric acid

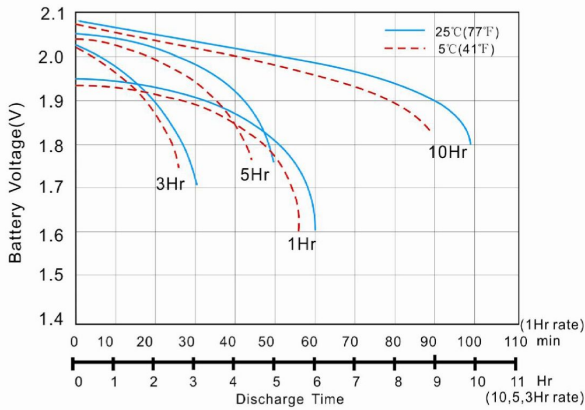


#### Specification:

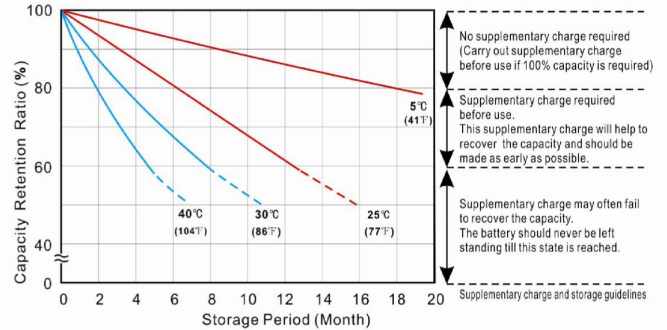
Battery Model	ML300 -2 2V300AH			
Designed Floating Life	Up to 15 Years			
Capacity (25°C)	10HR(30.0A,10.8V)	5HR(50.0A,10.8V)	3HR(74.0A,10.8V)	1HR(158.0A,10.8V)
	300.0AH	250.0AH	222.0AH	158.0AH
Dimensions	Length	Width	Height	Total Height
	171mm (6.73inch)	151mm (5.94inch)	340mm (13.39inch)	365mm (14.37inch)
Approx. Weight	19.50Kg (43.00 lbs)			
Internal Resistance	Full charged at 25°C: ≤0.47mΩ			
Self Discharge	2% of capacity declined per month at (25°C)			
Capacity Affected by Temp.(20HR)	40°C	25°C	0°C	-15°C
	102%	100%	85%	65%
Charge Voltage(25°C)	Cycle use		Float use	
	2.40-2.50V(-5mV/°C), max. Current:75.0A		2.25-2.30V (-3.0mV/°C)	

**FUJIAN MINHUA POWER SOURCE CO., LTD.**

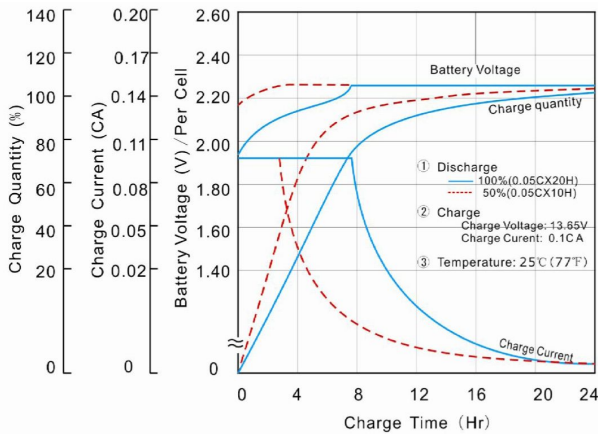
### Terminal Voltage (V) and Discharge Time



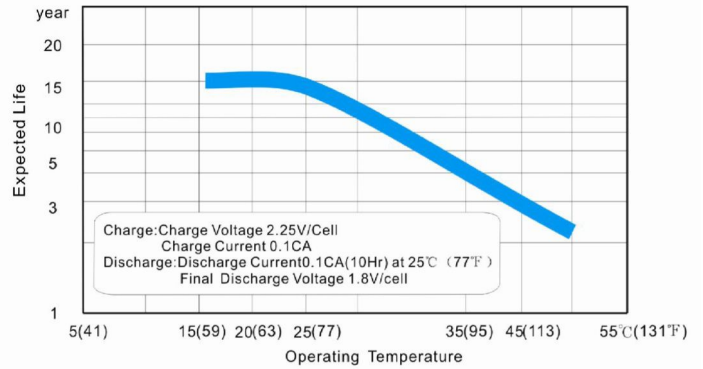
### Capacity Retention Characteristic



### Battery Voltage and Charge Time for Standby Use



### Tickle(or Float) Service Life



### Constant Current Discharge (CC, Unit: A) at 25°C (77°F)

F.V/Time	10Min	15Min	30Min	1Hr	2Hr	3Hr	4Hr	5Hr	6Hr	8Hr	10Hr	20Hr
1.85V/Cell	701.83	467.88	228.09	153.99	95.33	72.11	58.78	48.72	42.87	34.89	29.24	14.97
1.80V/Cell	720.00	480.00	234.00	157.98	97.80	73.98	60.30	49.98	43.98	35.79	30.00	15.36
1.75V/Cell	728.64	485.76	236.81	159.88	98.97	74.87	61.02	50.58	44.51	36.22	30.36	15.54
1.70V/Cell	794.22	514.91	251.02	166.25	100.72	76.19	62.10	51.47	45.29	36.86	30.89	15.82
1.67V/Cell	874.37	558.62	272.33	175.54	101.79	77.00	62.76	52.02	45.78	37.25	31.23	15.99

### Constant Power Discharge (CP, Unit: W) at 25°C (77°F)

F.V/Time	10Min	15Min	30Min	1Hr	2Hr	3Hr	4Hr	5Hr	6Hr	8Hr	10Hr	20Hr
1.85V/Cell	1368.6	912.4	444.8	300.3	185.9	140.6	114.6	95.0	83.6	68.0	57.0	29.2
1.80V/Cell	1404.0	936.0	456.3	308.1	190.7	144.3	117.6	97.5	85.8	69.8	58.5	30.0
1.75V/Cell	1420.8	947.2	461.8	311.8	193.0	146.0	119.0	98.6	86.8	70.6	59.2	30.3
1.70V/Cell	1548.7	1004.1	489.5	324.2	196.4	148.6	121.1	100.4	88.3	71.9	60.2	30.8
1.67V/Cell	1705.0	1089.3	531.0	342.3	198.5	150.2	122.4	101.4	89.3	72.6	60.9	31.2