

MHB ML Series—Longer service life Battery

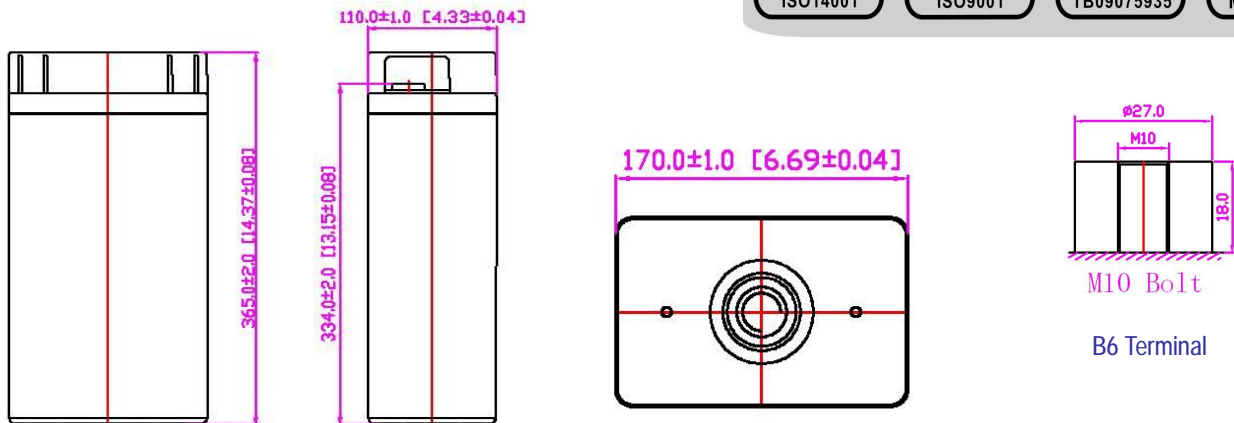
- High performance, completely maintenance-free, low self-discharge
- 100% precise quality testing, stable quality and high reliable performance
- Unique grid alloy formula and updated manufacturing technique
- Floating & standby use: up to 15 years
- Cycle use 1: Up to 260 cycles at 100% DOD
- Cycle use 2: Up to 1200 cycles at 30% DOD

Application:

- Telecommunications
- Uninterruptable Power Supply (UPS)
- Electric Power System (EPS)
- Emergency backup power supply
- Alarm and security system
- Communication power supply
- DC power supply
- Auto control system

Construction:

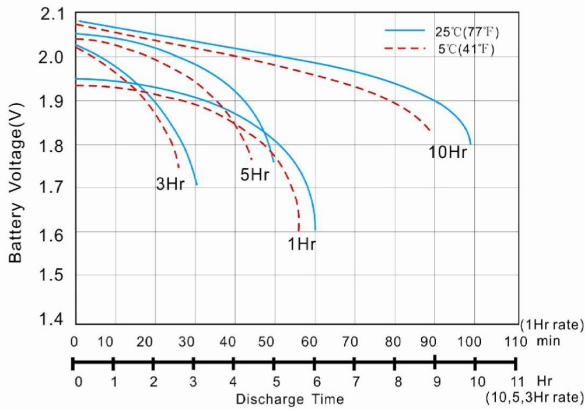
- ComponentRaw material
- PositiveLead dioxide
- NegativeLead
- ContainerABS
- CoverABS
- SealantEpoxy
- Safety valve Rubber
- TerminalCopper
- SeparatorFiber glass
- Electrolyte Sulfuric acid



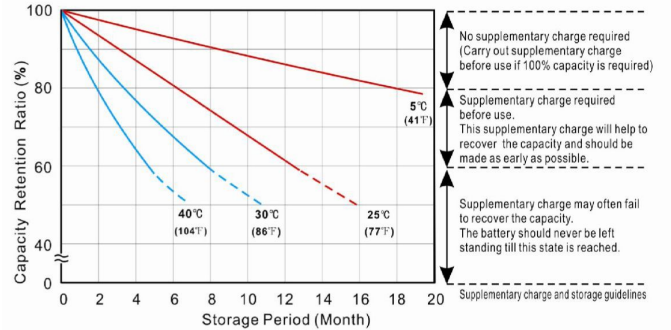
Specification:

Battery Model	ML200 -2 2V200AH			
Designed Floating Life	Up to 15 Years			
Capacity (25°C)	10HR(20.0A,10.8V)	5HR(33.32A,10.8V)	3HR(49.32A,10.8V)	1HR(105.32A,10.8V)
	200.0AH	166.6AH	147.96AH	105.32AH
Dimensions	Length	Width	Height	Total Height
	170mm (6.69inch)	110mm (4.33inch)	334mm (13.15inch)	365mm (14.37inch)
Approx. Weight	13.40Kg (29.55 lbs)			
Internal Resistance	Full charged at 25°C: ≤0.65mΩ			
Self Discharge	2% of capacity declined per month at (25°C)			
Capacity Affected by Temp.(20HR)	40°C	25°C	0°C	-15°C
	102%	100%	85%	65%
Charge Voltage(25°C)	Cycle use		Float use	
	2.40-2.50V(-5mV/°C), max. Current:50.0A		2.25-2.30V (-3.0mV/°C)	

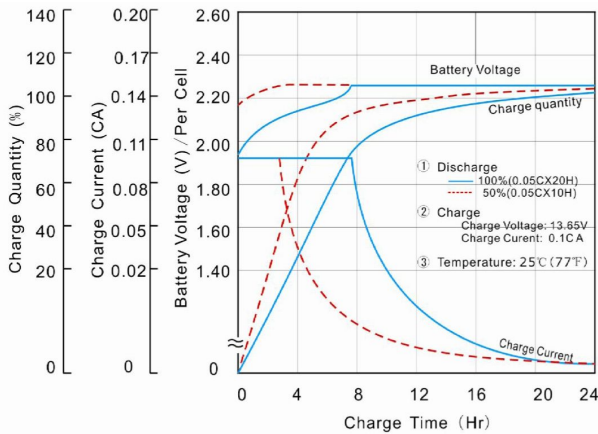
Terminal Voltage (V) and Discharge Time



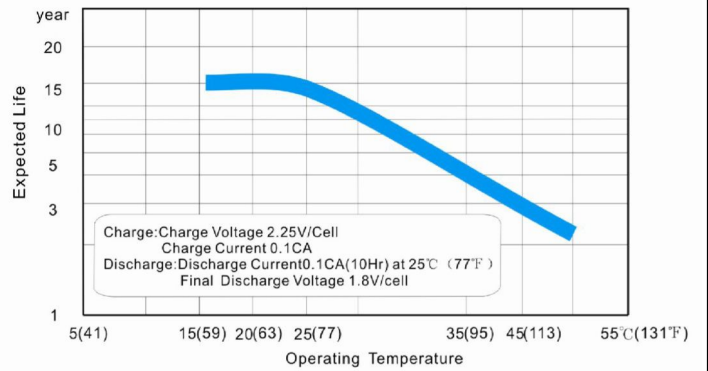
Capacity Retention Characteristic



Battery Voltage and Charge Time for Standby Use



Tickle(or Float) Service Life



Constant Current Discharge (CC, Unit: A) at 25°C (77°F)

F.V/Time	10Min	15Min	30Min	1Hr	2Hr	3Hr	4Hr	5Hr	6Hr	8Hr	10Hr	20Hr
1.85V/Cell	467.88	311.92	152.06	102.66	63.55	48.08	39.19	32.48	28.58	23.26	19.50	9.98
1.80V/Cell	480.00	320.00	156.00	105.32	65.20	49.32	40.20	33.32	29.32	23.86	20.00	10.24
1.75V/Cell	485.76	323.84	157.87	106.58	65.98	49.91	40.68	33.72	29.67	24.15	20.24	10.36
1.70V/Cell	529.48	343.27	167.34	110.84	67.14	50.79	41.40	34.31	30.19	24.57	20.60	10.55
1.67V/Cell	582.91	372.42	181.55	117.03	67.86	51.33	41.84	34.68	30.52	24.83	20.82	10.66

Constant Power Discharge (CP, Unit: W) at 25°C (77°F)

F.V/Time	10Min	15Min	30Min	1Hr	2Hr	3Hr	4Hr	5Hr	6Hr	8Hr	10Hr	20Hr
1.85V/Cell	912.4	608.2	296.5	200.2	123.9	93.7	76.4	63.3	55.7	45.4	38.0	19.5
1.80V/Cell	936.0	624.0	304.2	205.4	127.1	96.2	78.4	65.0	57.2	46.5	39.0	20.0
1.75V/Cell	947.2	631.5	307.9	207.8	128.7	97.3	79.3	65.8	57.9	47.1	39.5	20.2
1.70V/Cell	1032.5	669.4	326.3	216.1	130.9	99.0	80.7	66.9	58.9	47.9	40.2	20.6
1.67V/Cell	1136.7	726.2	354.0	228.2	132.3	100.1	81.6	67.6	59.5	48.4	40.6	20.8