

MHB ML Series—Longer service life Battery

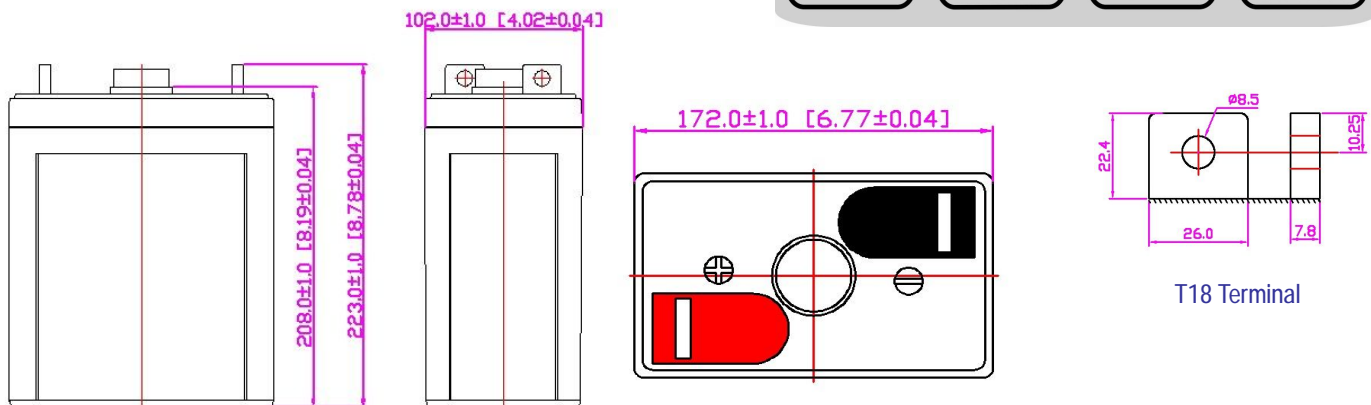
- High performance, completely maintenance-free, low self-discharge
- 100% precise quality testing, stable quality and high reliable performance
- Unique grid alloy formula and updated manufacturing technique
- Floating & standby use: up to 15 years
- Cycle use 1: Up to 260 cycles at 100% DOD
- Cycle use 2: Up to 1200 cycles at 30% DOD

Application:

- Telecommunications
- Uninterruptable Power Supply (UPS)
- Electric Power System (EPS)
- Emergency backup power supply
- Alarm and security system
- Communication power supply
- DC power supply
- Auto control system

Construction:

- ComponentRaw material
- PositiveLead dioxide
- NegativeLead
- ContainerABS
- CoverABS
- SealantEpoxy
- Safety valve Rubber
- TerminalCopper
- SeparatorFiber glass
- Electrolyte Sulfuric acid

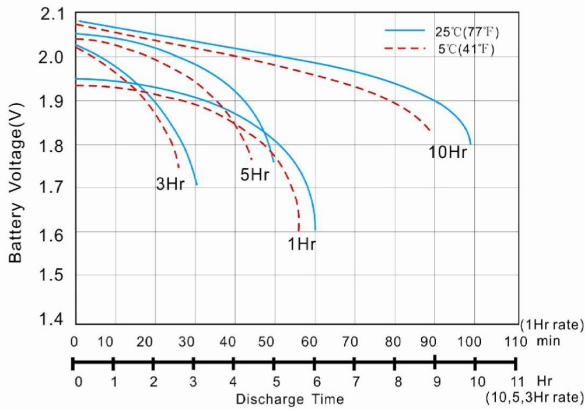


Specification:

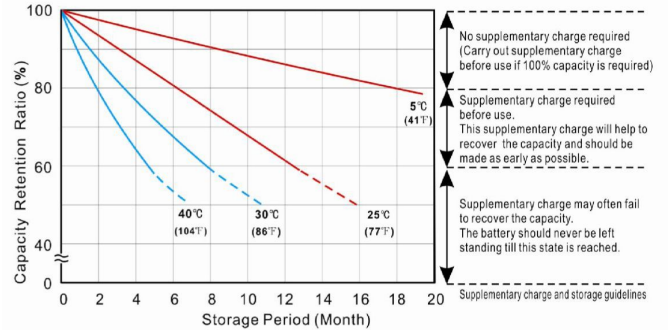
| | | | | |
|----------------------------------|---|-------------------|------------------------|-------------------|
| Battery Model | ML 150 -2 2V150AH | | | |
| Designed Floating Life | Up to 15 Years | | | |
| Capacity (25°C) | 10HR(15.0A,10.8V) | 5HR(24.99A,10.8V) | 3HR(36.99A,10.8V) | 1HR(78.99A,10.8V) |
| | 150.0AH | 124.5AH | 110.7AH | 78.99AH |
| Dimensions | Length | Width | Height | Total Height |
| | 172mm (6.77inch) | 102mm (4.02inch) | 208mm (8.19inch) | 223mm (8.78inch) |
| Approx. Weight | 8.60Kg (18.96 lbs) | | | |
| Internal Resistance | Full charged at 25°C: ≤2.0mΩ | | | |
| Self Discharge | 2% of capacity declined per month at (25°C) | | | |
| Capacity Affected by Temp.(20HR) | 40°C | 25°C | 0°C | -15°C |
| | 102% | 100% | 85% | 65% |
| Charge Voltage(25°C) | Cycle use | | Float use | |
| | 2.40-2.50V(-5mV/°C), max. Current:37.5A | | 2.25-2.30V (-3.0mV/°C) | |

FUJIAN MINHUA POWER SOURCE CO., LTD.

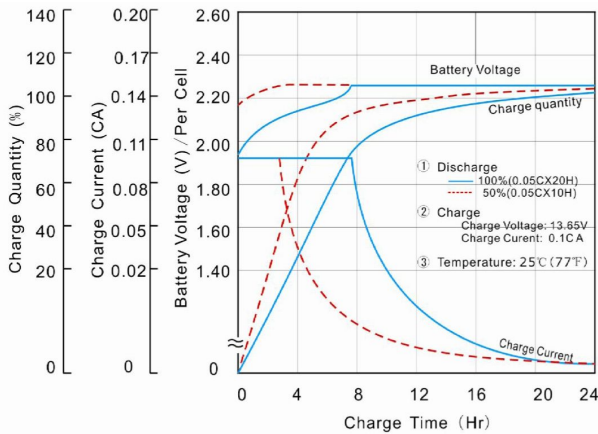
Terminal Voltage (V) and Discharge Time



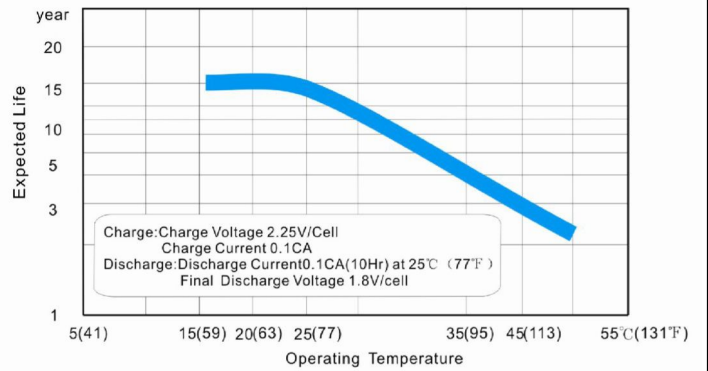
Capacity Retention Characteristic



Battery Voltage and Charge Time for Standby Use



Tickle(or Float) Service Life



Constant Current Discharge (CC, Unit: A) at 25°C (77°F)

| F.V/Time | 10Min | 15Min | 30Min | 1Hr | 2Hr | 3Hr | 4Hr | 5Hr | 6Hr | 8Hr | 10Hr | 20Hr |
|------------|--------|--------|--------|-------|-------|-------|-------|-------|-------|-------|-------|------|
| 1.85V/Cell | 350.91 | 233.94 | 114.05 | 77.00 | 47.67 | 36.06 | 29.39 | 24.36 | 21.43 | 17.44 | 14.62 | 7.49 |
| 1.80V/Cell | 360.00 | 240.00 | 117.00 | 78.99 | 48.90 | 36.99 | 30.15 | 24.99 | 21.99 | 17.90 | 15.00 | 7.68 |
| 1.75V/Cell | 364.32 | 242.88 | 118.40 | 79.94 | 49.49 | 37.43 | 30.51 | 25.29 | 22.25 | 18.11 | 15.18 | 7.77 |
| 1.70V/Cell | 397.11 | 257.45 | 125.51 | 83.13 | 50.36 | 38.09 | 31.05 | 25.73 | 22.65 | 18.43 | 15.45 | 7.91 |
| 1.67V/Cell | 437.18 | 279.31 | 136.16 | 87.77 | 50.90 | 38.50 | 31.38 | 26.01 | 22.89 | 18.63 | 15.61 | 7.99 |

Constant Power Discharge (CP, Unit: W) at 25°C (77°F)

| F.V/Time | 10Min | 15Min | 30Min | 1Hr | 2Hr | 3Hr | 4Hr | 5Hr | 6Hr | 8Hr | 10Hr | 20Hr |
|------------|-------|-------|-------|-------|------|------|------|------|------|------|------|------|
| 1.85V/Cell | 684.3 | 456.2 | 222.4 | 150.1 | 92.9 | 70.3 | 57.3 | 47.5 | 41.8 | 34.0 | 28.5 | 14.6 |
| 1.80V/Cell | 702.0 | 468.0 | 228.2 | 154.0 | 95.4 | 72.1 | 58.8 | 48.7 | 42.9 | 34.9 | 29.3 | 15.0 |
| 1.75V/Cell | 710.4 | 473.6 | 230.9 | 155.9 | 96.5 | 73.0 | 59.5 | 49.3 | 43.4 | 35.3 | 29.6 | 15.2 |
| 1.70V/Cell | 774.4 | 502.0 | 244.7 | 162.1 | 98.2 | 74.3 | 60.5 | 50.2 | 44.2 | 35.9 | 30.1 | 15.4 |
| 1.67V/Cell | 852.5 | 544.7 | 265.5 | 171.2 | 99.2 | 75.1 | 61.2 | 50.7 | 44.6 | 36.3 | 30.4 | 15.6 |