

#### MHB ML Series—Longer service life Battery

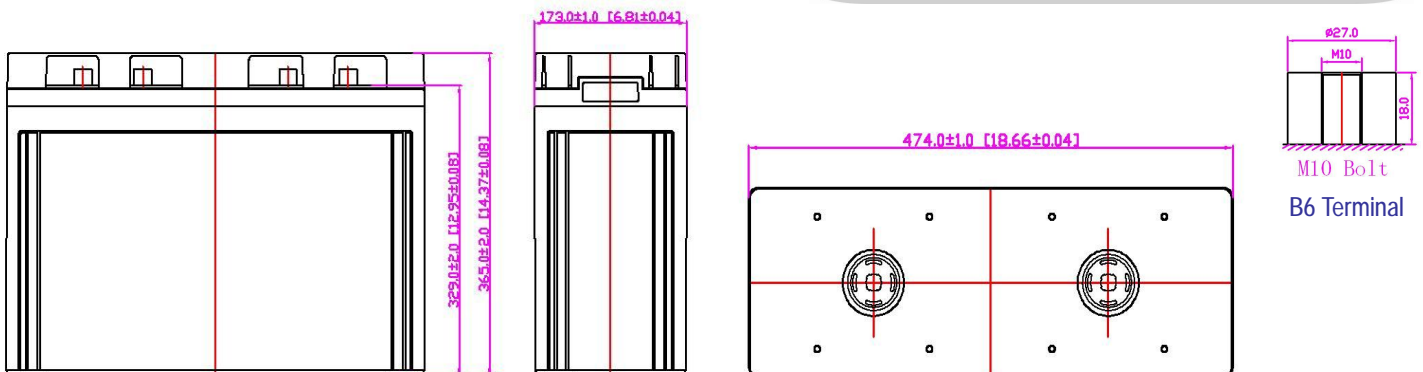
- High performance, completely maintenance-free, low self-discharge
- 100% precise quality testing, stable quality and high reliable performance
- Unique grid alloy formula and updated manufacturing technique
- Floating & standby use: up to 15 years
- Cycle use 1: Up to 260 cycles at 100% DOD
- Cycle use 2: Up to 1200 cycles at 30% DOD

#### Application:

- Telecommunications
- Uninterruptable Power Supply (UPS)
- Electric Power System (EPS)
- Emergency backup power supply
- Alarm and security system
- Communication power supply
- DC power supply
- Auto control system

#### Construction:

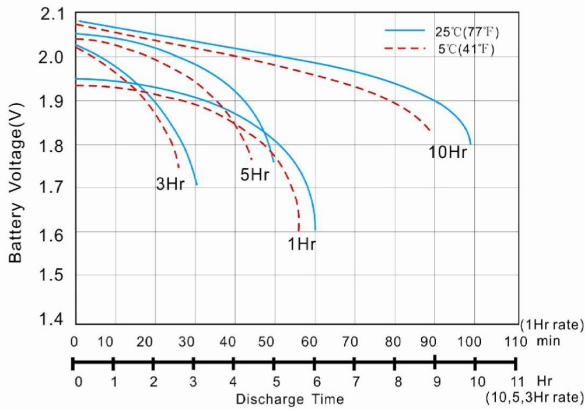
- Component .....Raw material
- Positive .....Lead dioxide
- Negative .....Lead
- Container .....ABS
- Cover .....ABS
- Sealant .....Epoxy
- Safety valve .... Rubber
- Terminal .....Copper
- Separator .....Fiber glass
- Electrolyte ..... Sulfuric acid



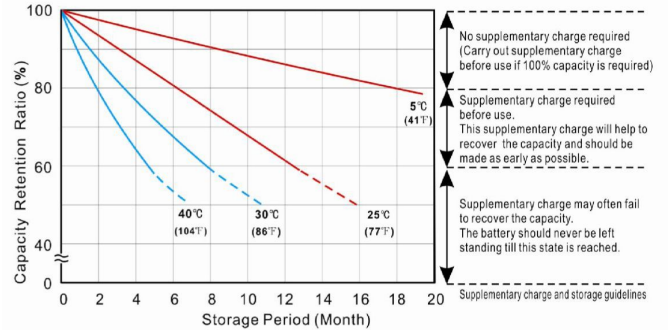
#### Specification:

Battery Model	ML 1000 -2 2V1000AH			
Designed Floating Life	Up to 15 Years			
Capacity (25°C)	10HR(100.00A, 10.8V)	5HR(166.60A, 10.8V)	3HR(246.60A, 10.8V)	1HR(526.60A, 10.8V)
	1000.00AH	833.00AH	739.80AH	526.60AH
Dimensions	Length	Width	Height	Total Height
	474mm (18.66inch)	173mm (6.81inch)	329mm (12.95inch)	365mm (14.37inch)
Approx. Weight	61.50Kg (135.61 lbs)			
Internal Resistance	Full charged at 25°C: ≤0.32mΩ			
Self Discharge	2% of capacity declined per month at (25°C)			
Capacity Affected by Temp.(20HR)	40°C	25°C	0°C	-15°C
	102%	100%	85%	65%
Charge Voltage(25°C)	Cycle use		Float use	
	2.40-2.50V(-5mV/°C), max. Current:250.0A		2.25-2.30V (-3.0mV/°C)	

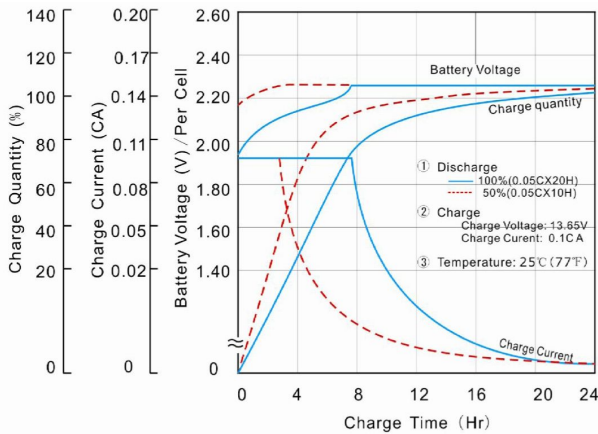
Terminal Voltage (V) and Discharge Time



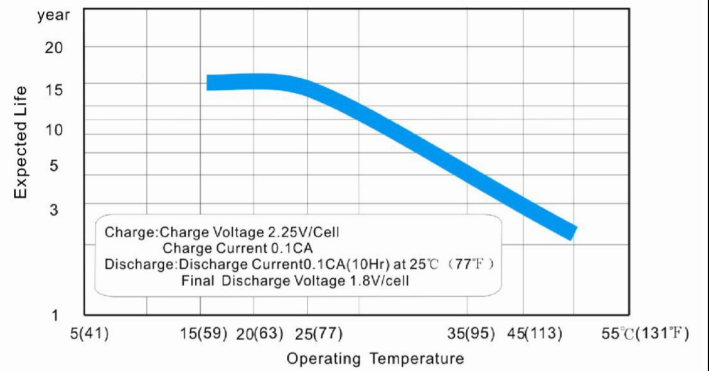
Capacity Retention Characteristic



Battery Voltage and Charge Time for Standby Use



Tickle(or Float) Service Life



Constant Current Discharge (CC, Unit: A) at 25°C (77°F)

F.V/Time	10Min	15Min	30Min	1Hr	2Hr	3Hr	4Hr	5Hr	6Hr	8Hr	10Hr	20Hr
1.85V/Cell	2339.42	1559.61	760.31	513.31	317.77	240.38	195.93	162.39	142.90	116.29	97.48	49.91
1.80V/Cell	2400.00	1600.00	780.00	526.60	326.00	246.60	201.00	166.60	146.60	119.30	100.00	51.20
1.75V/Cell	2428.80	1619.20	789.36	532.92	329.91	249.56	203.41	168.60	148.36	120.73	101.20	51.81
1.70V/Cell	2647.39	1716.35	836.72	554.18	335.72	253.95	206.99	171.57	150.97	122.86	102.98	52.73
1.67V/Cell	2914.56	1862.08	907.76	585.15	339.31	256.67	209.21	173.40	152.59	124.17	104.08	53.29

Constant Power Discharge (CP, Unit: W) at 25°C (77°F)

F.V/Time	10Min	15Min	30Min	1Hr	2Hr	3Hr	4Hr	5Hr	6Hr	8Hr	10Hr	20Hr
1.85V/Cell	4561.9	3041.2	1482.6	1001.0	619.7	468.7	382.1	316.7	278.7	226.8	190.1	97.3
1.80V/Cell	4680.0	3120.0	1521.0	1026.9	635.7	480.9	392.0	324.9	285.9	232.6	195.0	99.8
1.75V/Cell	4736.2	3157.4	1539.3	1039.2	643.3	486.6	396.7	328.8	289.3	235.4	197.3	101.0
1.70V/Cell	5162.4	3346.9	1631.6	1080.7	654.7	495.2	403.6	334.6	294.4	239.6	200.8	102.8
1.67V/Cell	5683.4	3631.1	1770.1	1141.0	661.7	500.5	408.0	338.1	297.5	242.1	203.0	103.9